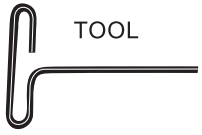


# KING ALPINE BED ASSEMBLY INSTRUCTIONS

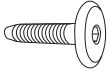
2 PLATFORM PANELS

3 LEG SUPPORTS

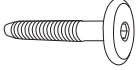


TOOL

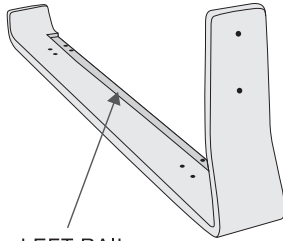
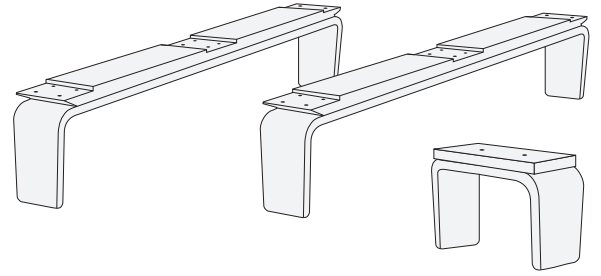
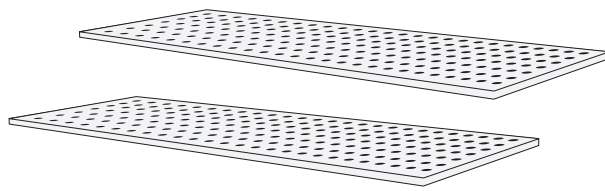
#1 - QTY. 16



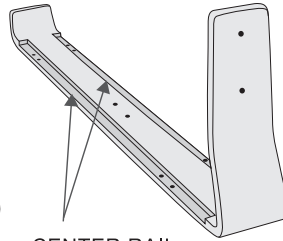
#2 - QTY. 14



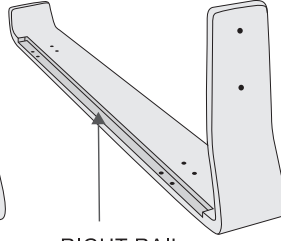
#3 - QTY. 2



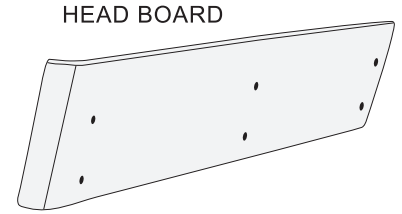
LEFT RAIL  
HAS 1 WOOD GROOVE



CENTER RAIL  
HAS 2 WOOD GROOVES



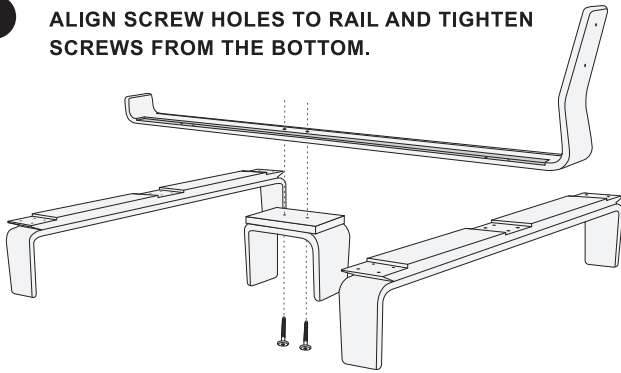
RIGHT RAIL  
HAS 1 WOOD GROOVE



HEAD BOARD

1

#3 SCREWS USED ON CENTER LEG SUPPORT.  
ALIGN SCREW HOLES TO RAIL AND TIGHTEN  
SCREWS FROM THE BOTTOM.



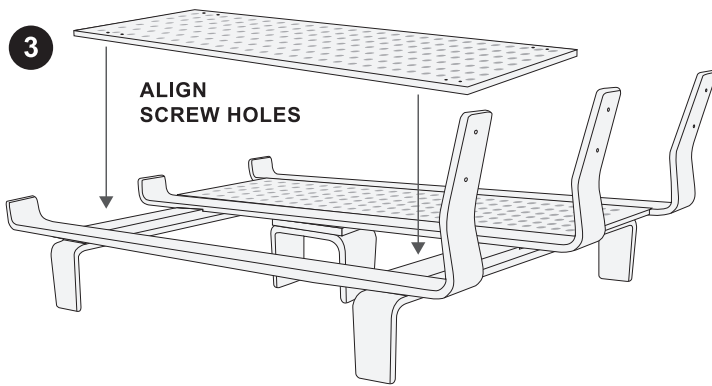
2

#2 SCREWS USED ON SIDE RAILS.  
DO NOT TIGHTEN SCREWS ALL THE WAY YET.  
LEAVE THEM SLIGHTLY LOOSE.



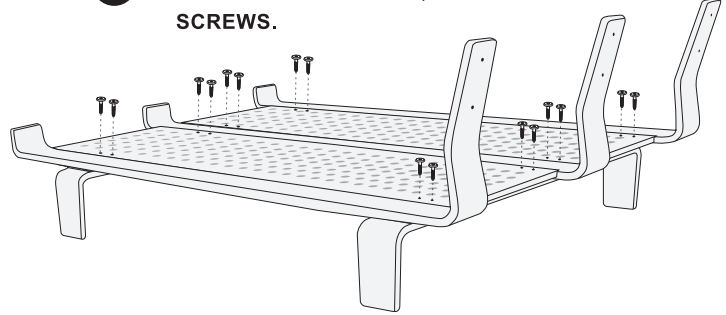
3

ALIGN  
SCREW HOLES



4

#1 SCREWS USED ON PLATFORM PANELS.  
TIGHTEN ALL SCREWS, INCLUDING THE RAIL  
SCREWS.

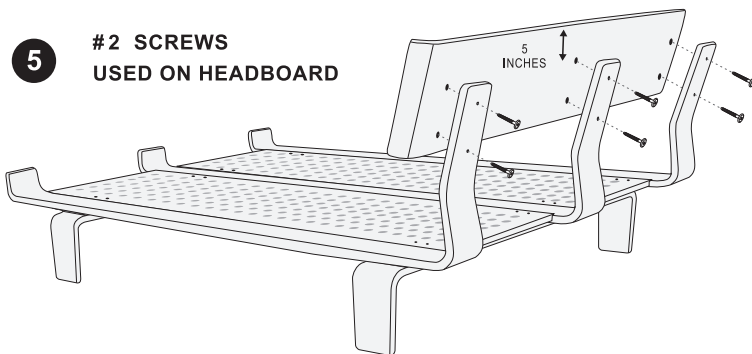


TOP HOLES ARE 5 INCHES FROM THE TOP OF HEADBOARD.  
START THE SCREWS ON THE CENTER RAIL FIRST TO HOLD THE HEADBOARD IN PLACE.  
IF HOLES DON'T ALIGN, FLEX THE RAILS TO ALIGN HOLES TO THE HEADBOARD.

5

#2 SCREWS  
USED ON HEADBOARD

5  
INCHES



6

FINISHED

